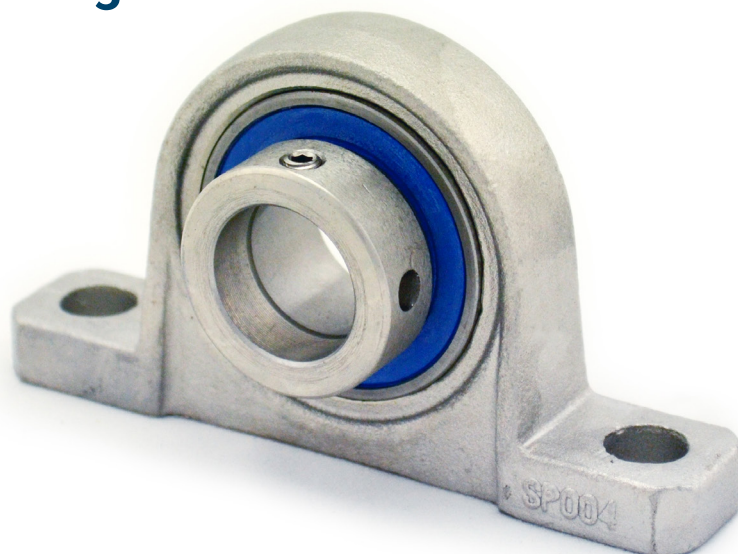


with eccentric collar lock

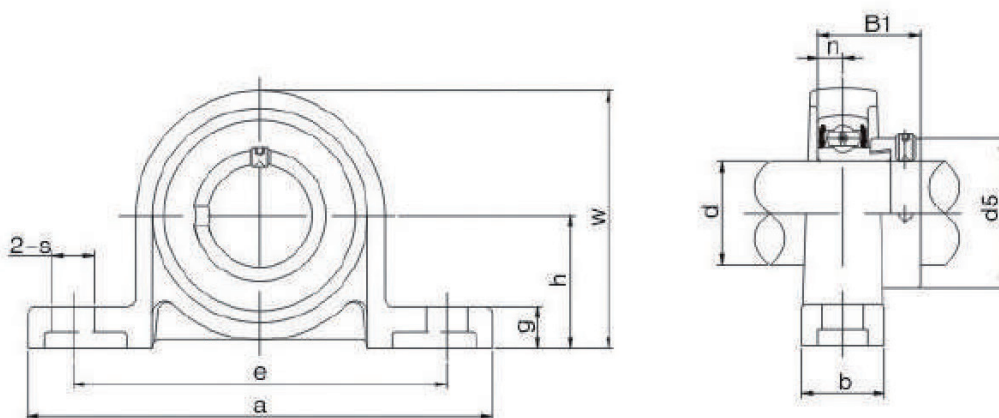
**bj·gear**

Customisation is our standard

## MUP - Mini stainless steel pillow block bearings



### Technical specifications & drawings



Item No.	d	h	a	e	b	s	g	W	B1	n	d5	Bolt size	Weight [kg]
MUP000	10	18	67	53	16	7	6	35	17.5	4.0	17	M6	0.08
MUP001	12	19	71	56	16	7	6	38	17.5	4.0	19	M6	0.09
MUP002	15	22	80	63	16	7	7	43	18.5	4.5	22	M6	0.13
MUP003	17	24	85	67	18	7	7	47	20.5	5.0	25	M6	0.16
MUP004	20	28	100	80	20	10	9	55	24.5	6.0	30	M8	0.23
MUP005	25	32	112	90	20	10	10	62	25.5	6.0	36	M8	0.29
MUP006	30	36	132	106	26	13	11	70	26.5	6.5	42	M10	0.45
MUP007	35	40	150	118	26	13	13	80	29.5	7.0	48	M10	0.59

All measurements are in millimeters. When ordering please use the catalogue numbers.

#### BJ-Gear A/S

Niels Bohrs Vej 47  
DK-8660 Skanderborg  
Denmark

Phone +45 87 40 80 80  
Email [bj@bj-gear.com](mailto:bj@bj-gear.com)  
Website [www.bj-gear.com](http://www.bj-gear.com)